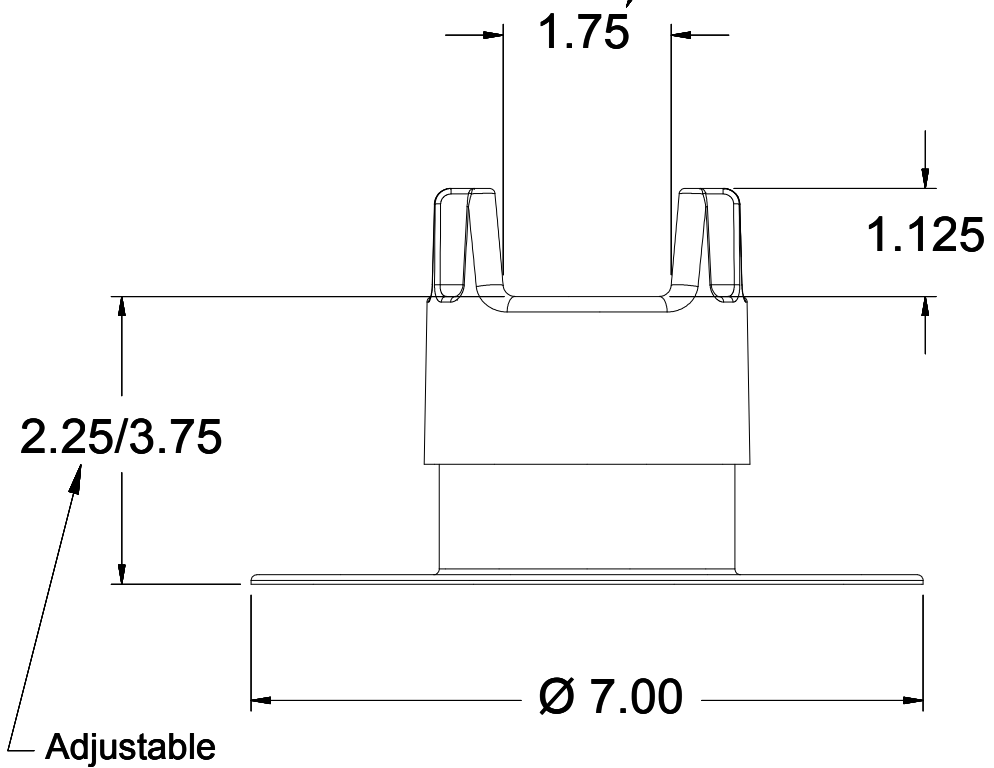
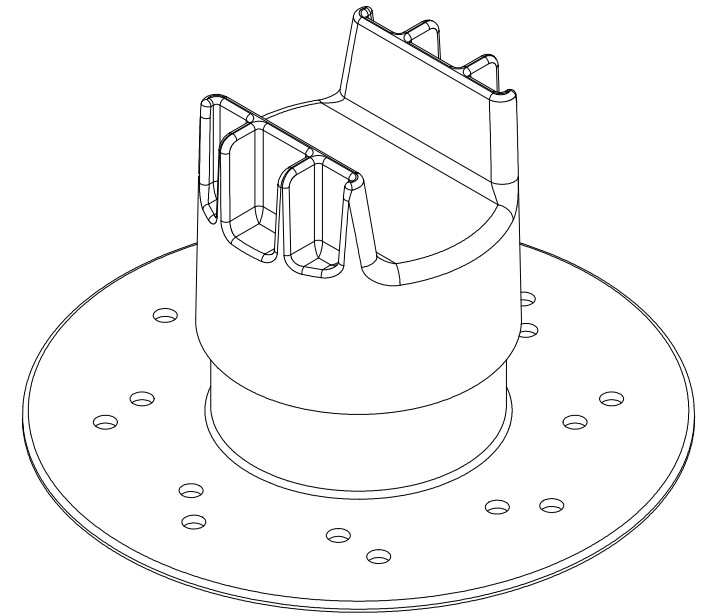


REVISIONS				
ZONE	REV	DESCRIPTION	DATE	APPROVED
A1	D	Added coring	12/17/18	

Mates with 1 5/8" strut channel



FILE NAME:	5519 E Cork St. Kalamazoo, Michigan 49098 USA (269)743-3368 (888)672-9897			
CONTRACT NO: Knuckleheads	KNUCKLEHEAD STRUT TOP			
DRAWN:				
CHECK:				
APPR:				
ISSUED:				
MAT'L: REINFORCED NYLON	SIZE A	FSCM NO.	DWG NO.	REV D
Third angle projection not applicable	SCALE NTS	WEIGHT	SHEET	