

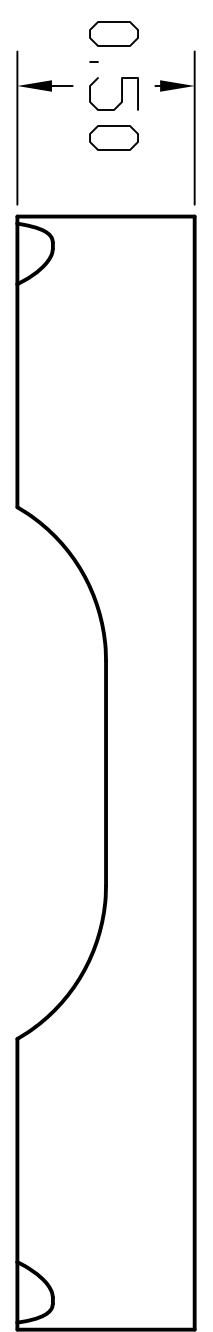
4

3

2

1

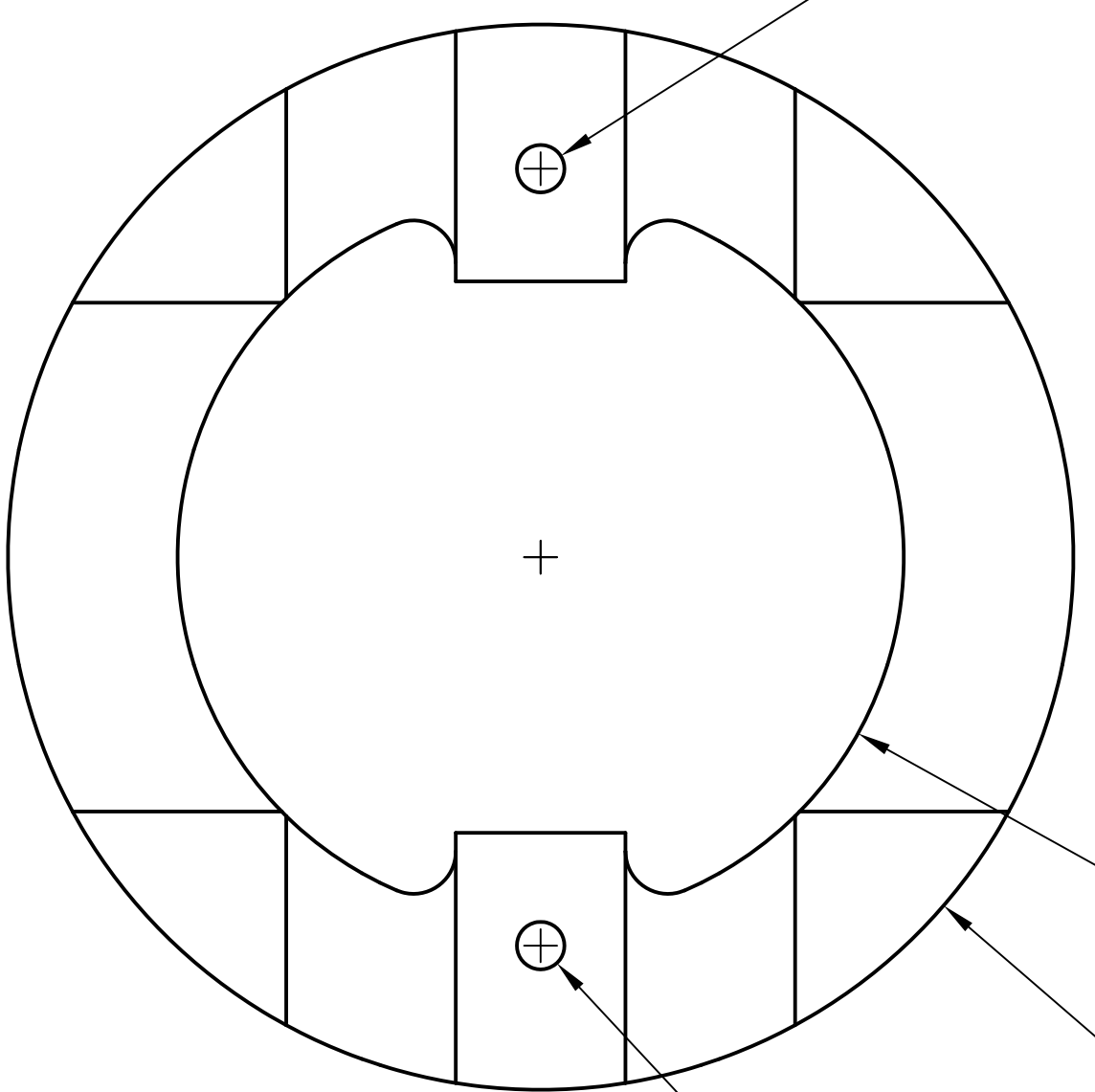
REVISIONS				
ZONE	REV	DESCRIPTION	DATE	APPROVED
ALL	A	INITIAL RELEASE	12/5/17	OP



Ø2.14

Ø3.14

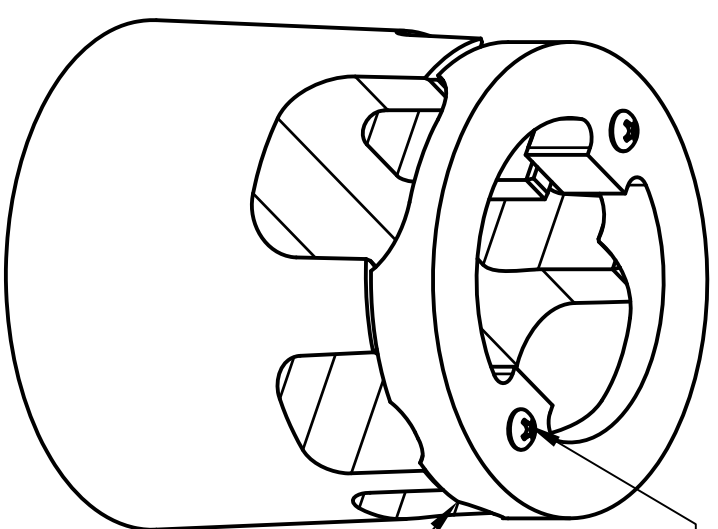
Mates with #6 screw



2X Thru
Ø0.14

C

B



#6 Fastener

KnuckleCap

Lite Pipe KnuckleHead Top

4

3

2

1

A

A

GREEN LINK
ECO-ENGINEERING

5519 E Cork Street
Kalamazoo Michigan 49048 USA
(269) 743-3368 (888) 672-9897

Lite Pipe KnuckleCap

FILE NAME	A-2006-1	SIZE	FSCM NO	DWG NO	REV
CONTRACT NO	KnuckleHeads			A-2006-1-Cap [A] Lite Pipe KnuckleCap	A
DRAWN	12/5/2017	SCALE	1:1	WEIGHT	32 grams
CHECK	OP			SHEET	12
APPR.	op				
ISSUED	9/29/2017				
Urethane					