

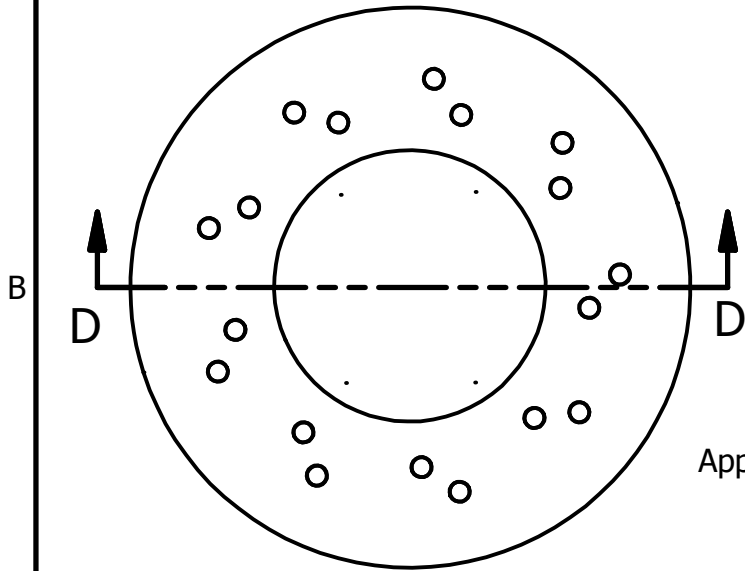
2



1

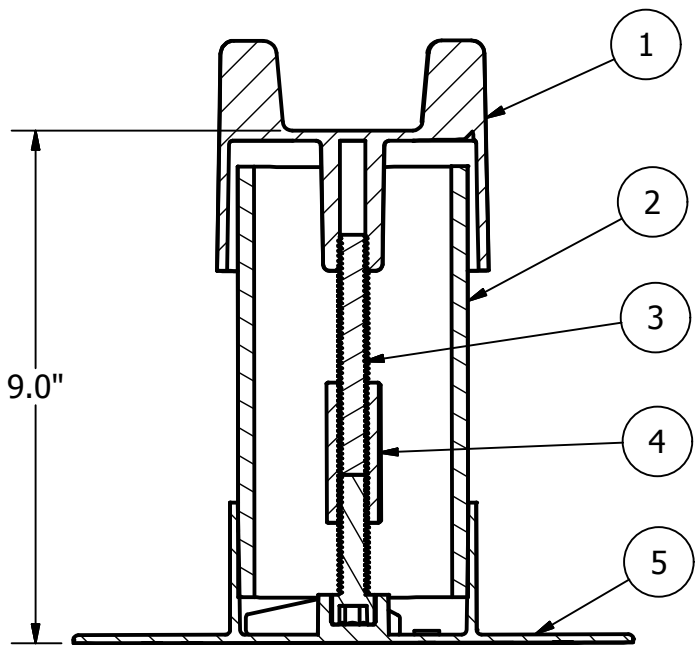
PARTS LIST

ITEM	QTY	PART NUMBER	DESCRIPTION
0	1	[P/N 2013]	Elevated KnuckleHead Assembly
1	1	[P/N 2003]	Strut Top_KnuckleHead
2	1	2.5" PVC SCH 40 El. Cond.	2.875"OD x 2.469" ID x 8" +/- .25" long
3	1	Threaded Rod	3/8-16 x 5.75" +/- .25" long
4	1	Coupling	3/8-16 x 1.75" long
5	1	[P/N 2001]	7" Universal Base_KnuckleHead

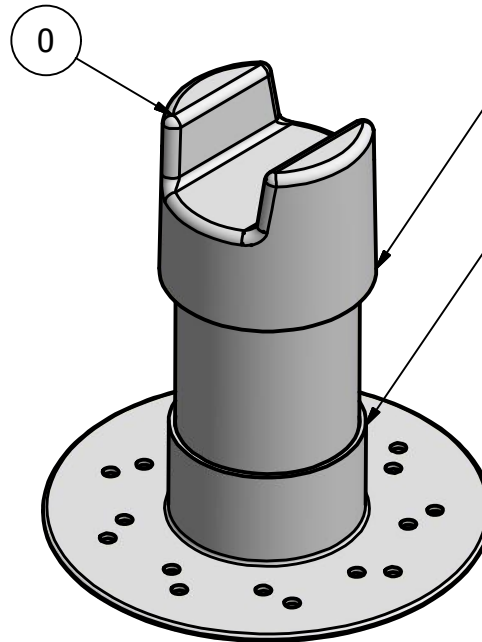


Apply M1 Structural Adhesive between (5) and (2)

Assembly torque not to exceed 17.0 ft-lb
Hand tighten until contact between (1) and (2) plus 1/4 turn



SECTION D-D
SCALE 5/12



TITLE
Universal Base Extension

PRODUCT
KnuckleHead

DWG NO
ASY 2007

REV
A

GREEN LINK
ECO-ENGINEERING
ROOF MECHANICAL SUPPORT AND ATTACHMENT

3400 Covington Road
Kalamazoo, MI 49001

P: (888) 672-9897
F: (269) 216-7066

www.GreenLinkEngineering.com

This drawing was generated on machine powered by solar energy.

2



1