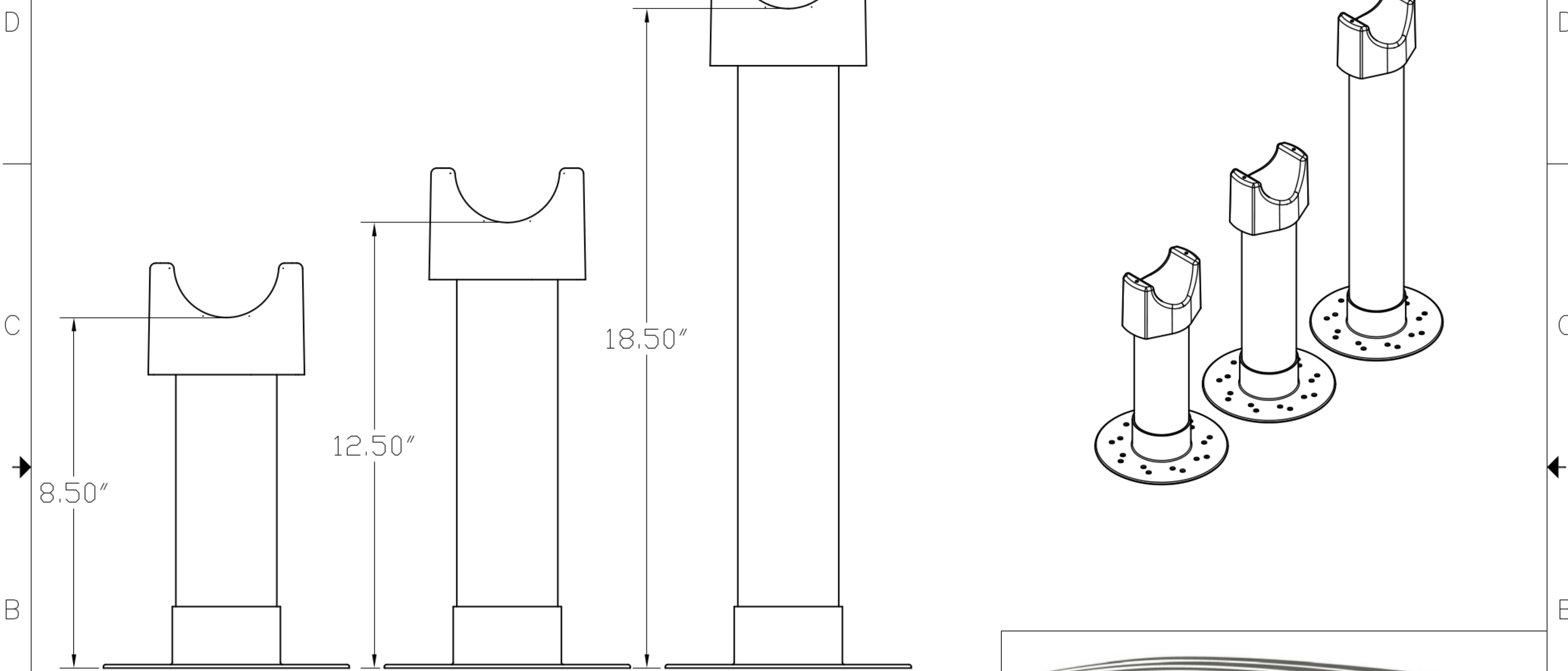


REVISIONS				
ZONE	REV	DESCRIPTION	DATE	APPROVED
A1	C	Updated Address	12/8/17	OP



EA-8-2011  
8" Extension

EA-12-2011  
12" Extension

EA-18-2011  
18" Extension



Note:  
Extensions are measured from roof surface to support point.  
Extensions are not height adjustable and must be fully engaged.  
Assembly torque not to exceed 17.0 ft-lb.  
Custom Extension are available upon request.

FILE NAME EA-XX-2011	5519 E Cork Street Kalamazoo Michigan 49048 USA (269)743-3368 (888) 672-9897		
CONTRACT NO KnuckleHeads			
DRAWN 11/15/2017			
CHECK OP			
APPR.			
ISSUED 11/15/2017			
N/A	SIZE	FSCM NO	DWG NO
		-	[EA-XX-2011] Large Pipe Extensions
Third angle projection not applicable	SCALE Not to scale	WEIGHT	REV C
			SHEET 12

Large Pipe Extensions