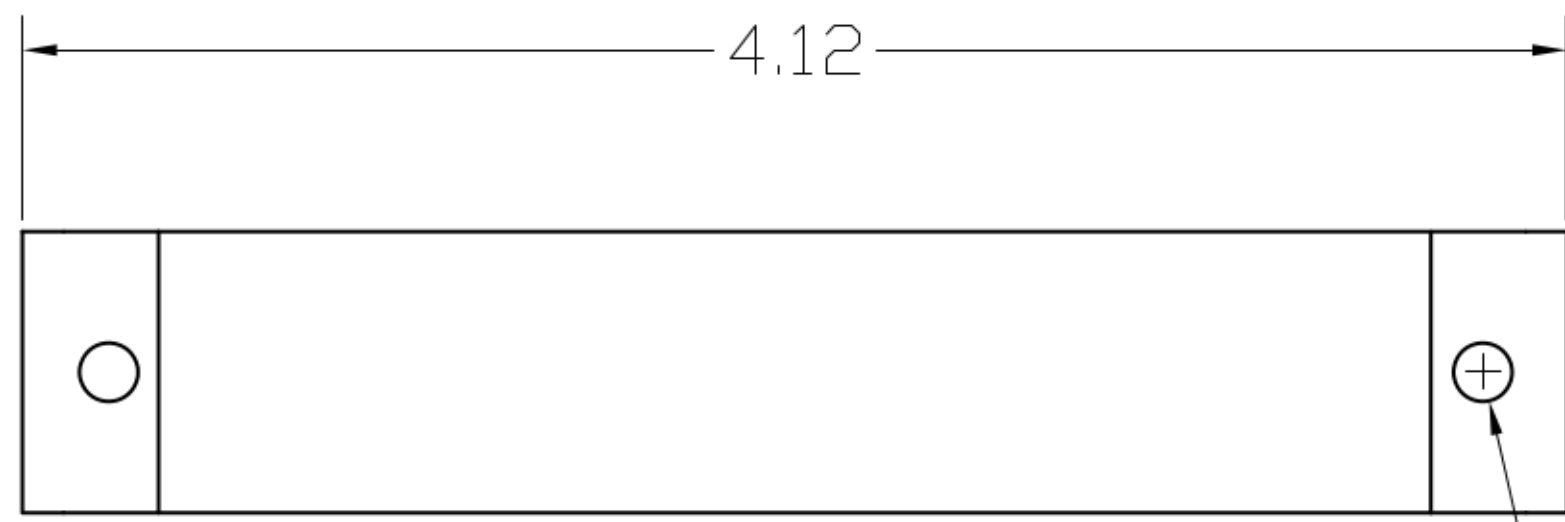
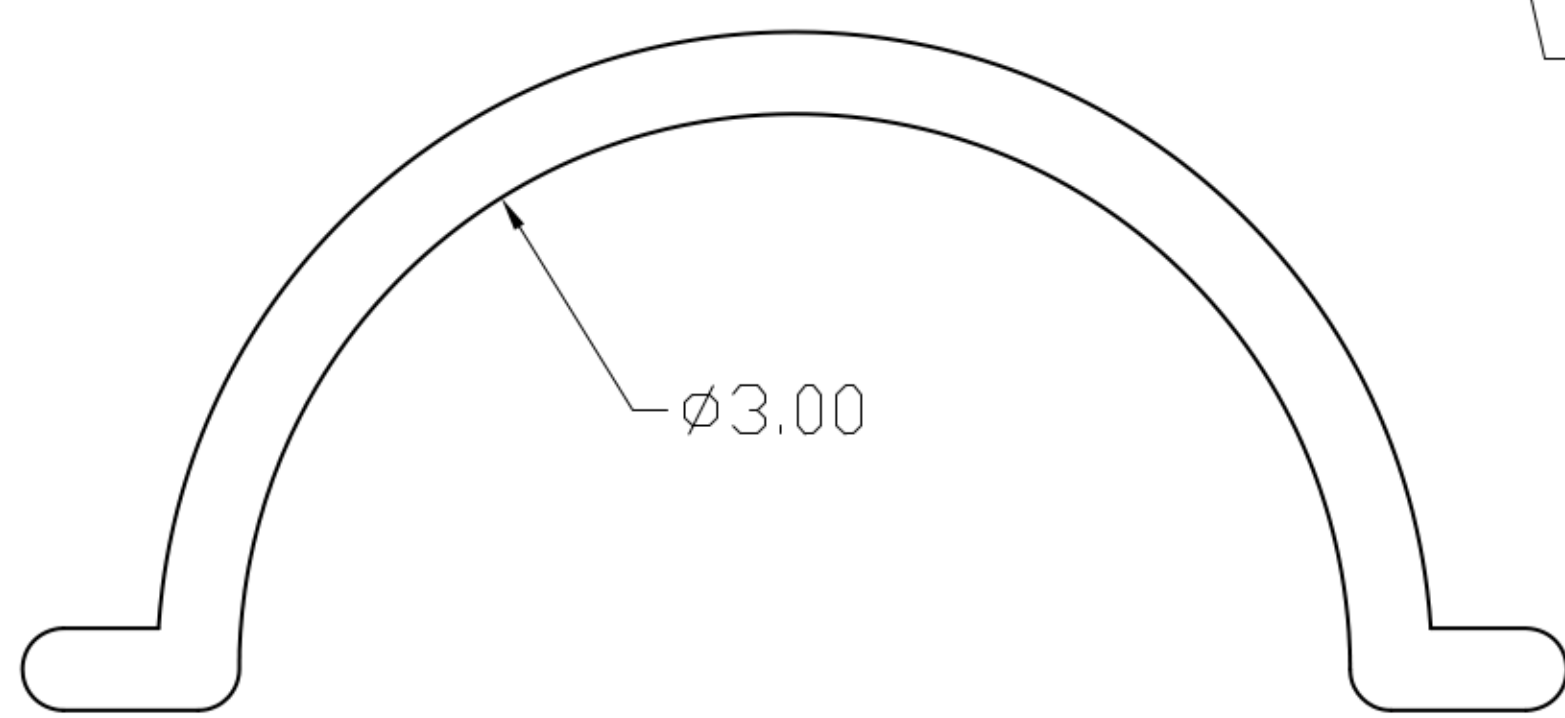
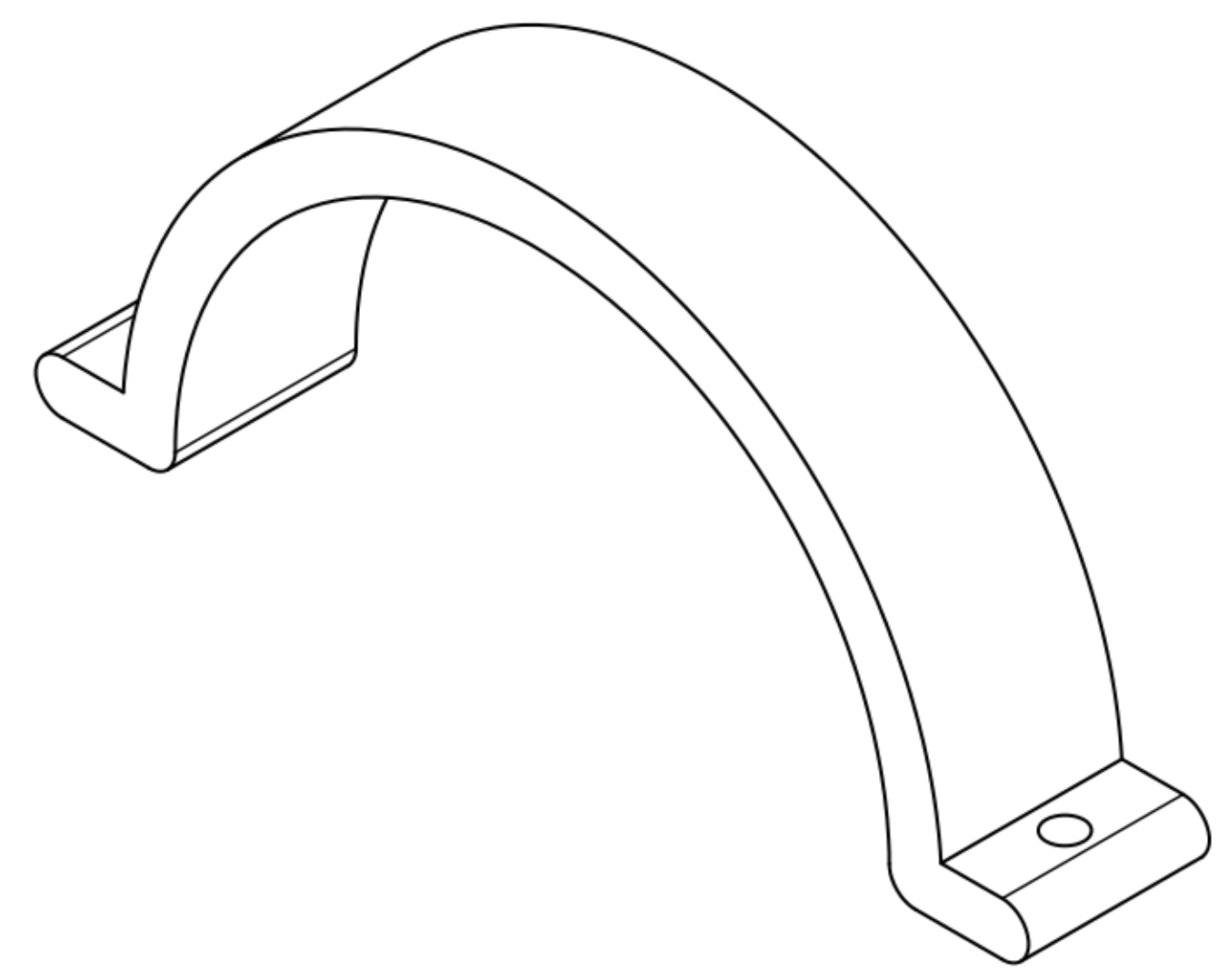


REVISIONS				
ZONE	REV	DESCRIPTION	DATE	APPROVED
ALL	A	INITIAL RELEASE	12/6/17	OP



Ø0.16

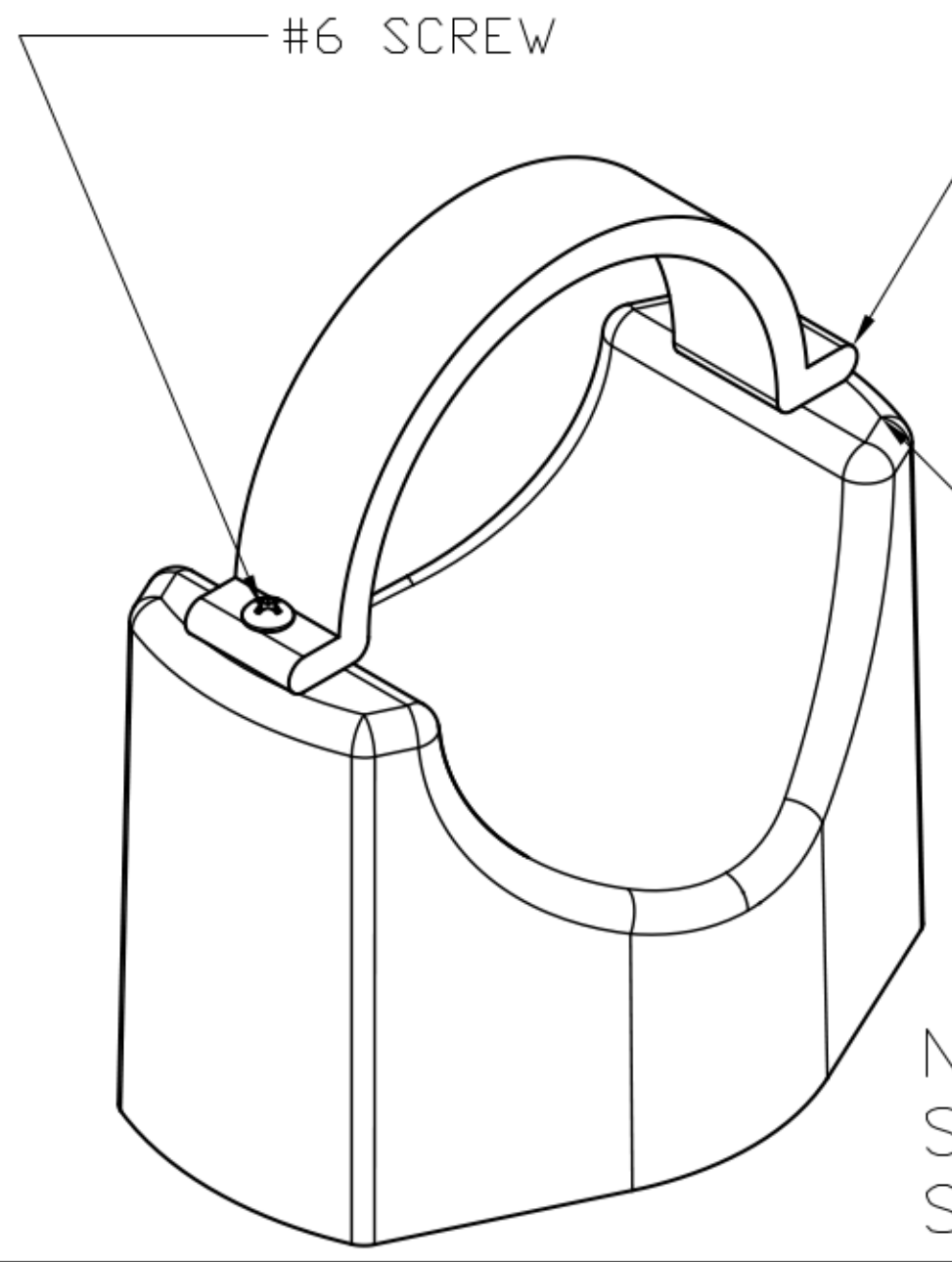


Ø3.00

#6 SCREW

KnuckleStrap [P/N 2011-1]

Heavy PipeTop



Note:
Shown as used with Heavy Pipe Top
Straps are Safety Yellow in color



FILE NAME A-2011-01	5519 E Cork St Kalamazoo Michigan 49048 USA (269)743-3368 (888) 672-9897				
CONTRACT NO KnuckleHeads	KnuckleStrap				
DRAWN 9/29/2017					
CHECK OP					
APPR. op					
ISSUED 9/29/2017	Urethane	SIZE	FSCM NO	DWG NO	REV
			-	A-2011-1-Strap [B] Large Pipe Strap	B
	SCALE 1:1	WEIGHT	SHEET 12		