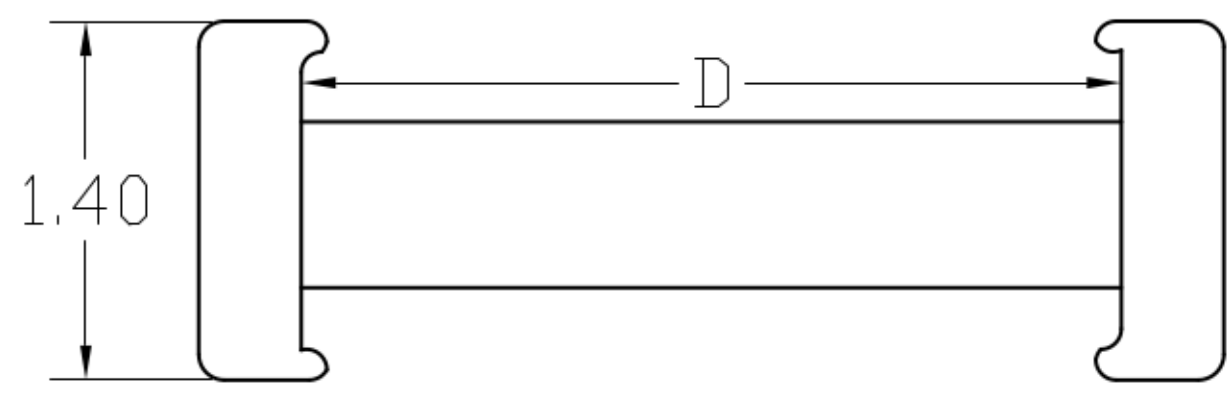
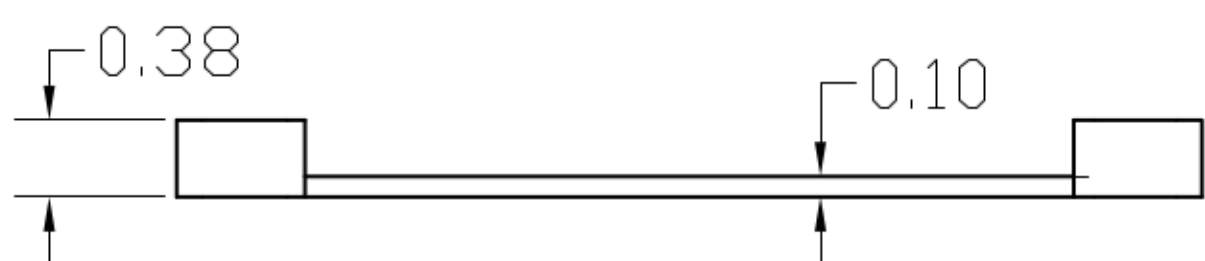
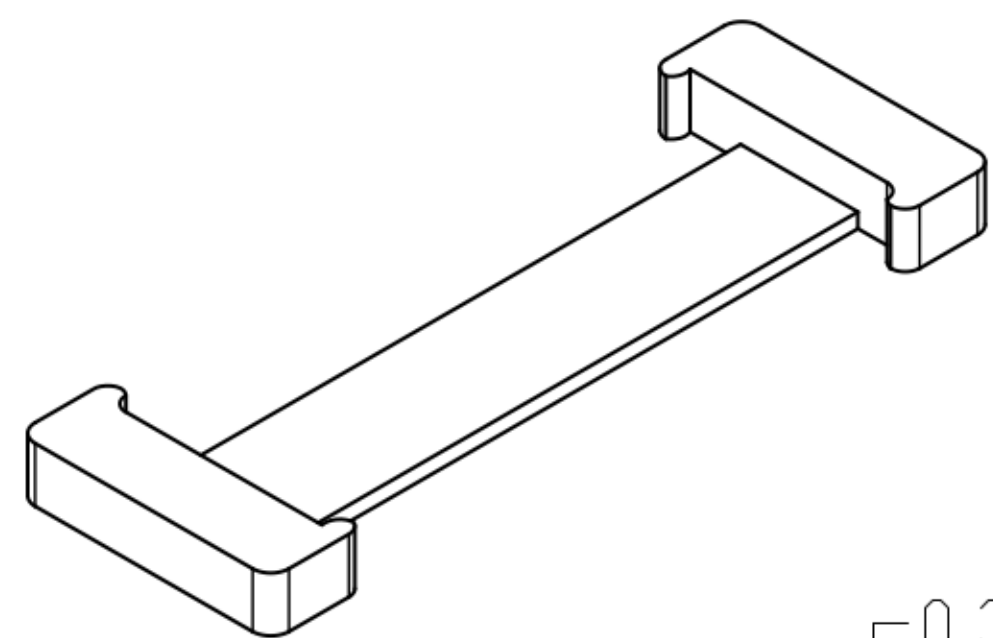
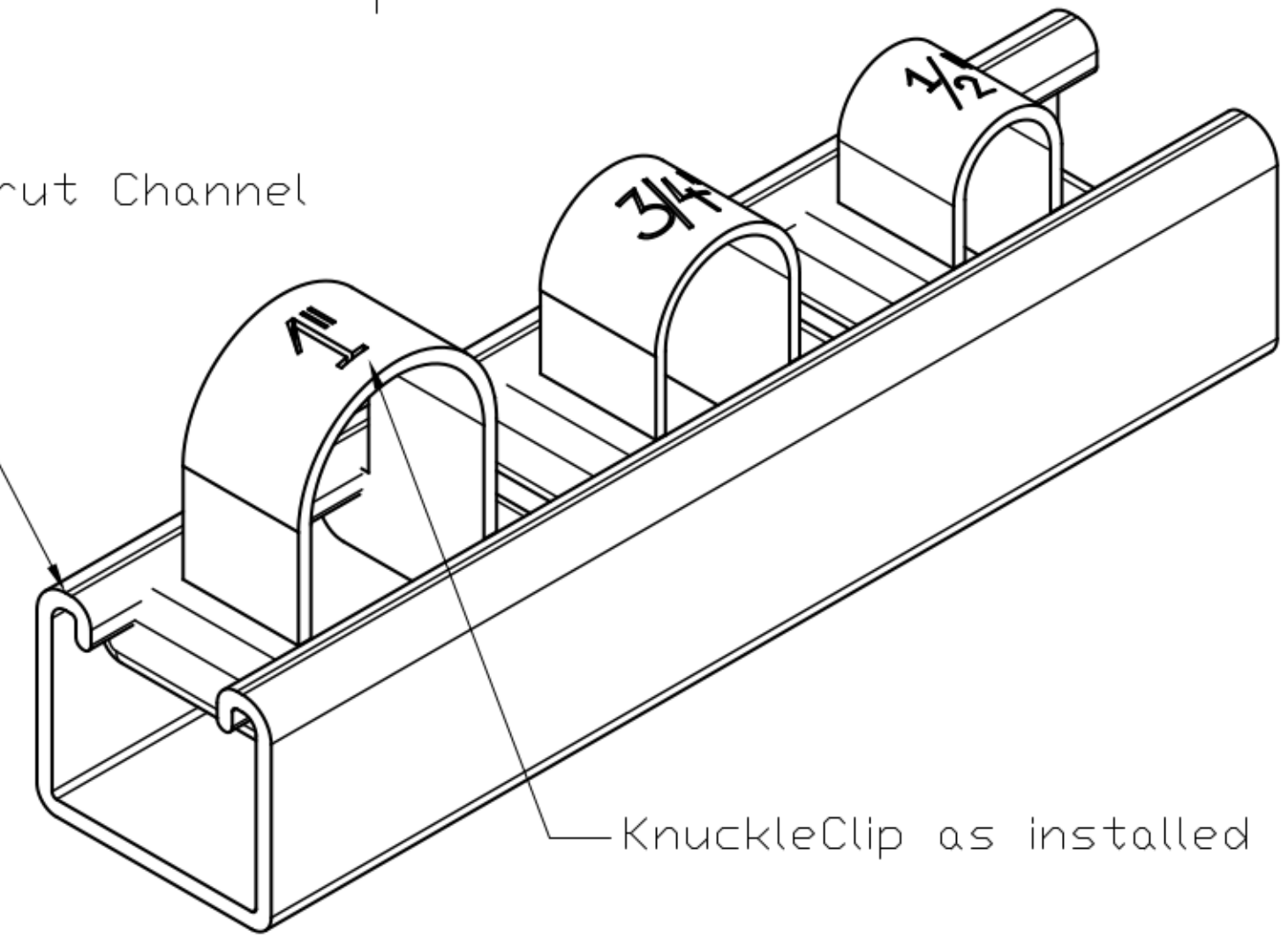


REVISIONS				
ZONE	REV	DESCRIPTION	DATE	APPROVED
ALL	A	INITIAL RELEASE	12/8/17	OP



Strut Channel



Nominal Pipe Size	Pipe OD (inch)	D (inch)
0.5	0.85	2.97
0.75	1.06	3.52
1	1.32	4.19
2	2.38	6.86
2.5	2.88	8.15



FILE NAME A-2007-1	5519 E Cork Street Kalamazoo Michigan 49048 USA (269)743-3368 (888) 672-9897			
CONTRACT NO KnuckleHeads	Strut KnuckleClip			
DRAWN 12/8/2017				
CHECK OP				
APPR. op				
ISSUED 9/29/2017				
Urethane	SIZE	FSCM NO	DWG NO	REV
		-	A-2007-Clip [A] KnuckleClip Strut Channel Pipe Clip	A
	SCALE 1:1	WEIGHT 15 grams	SHEET 12	