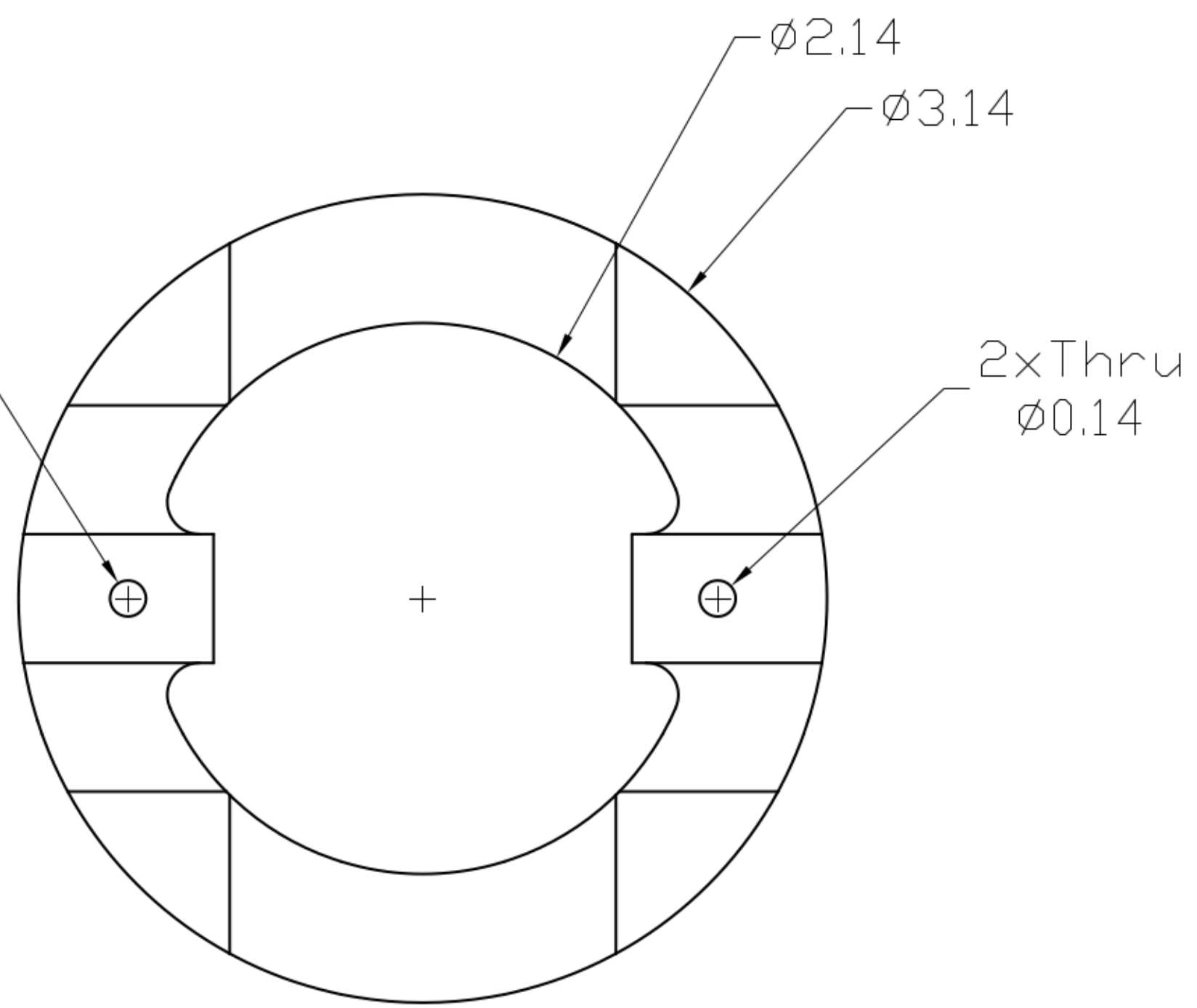
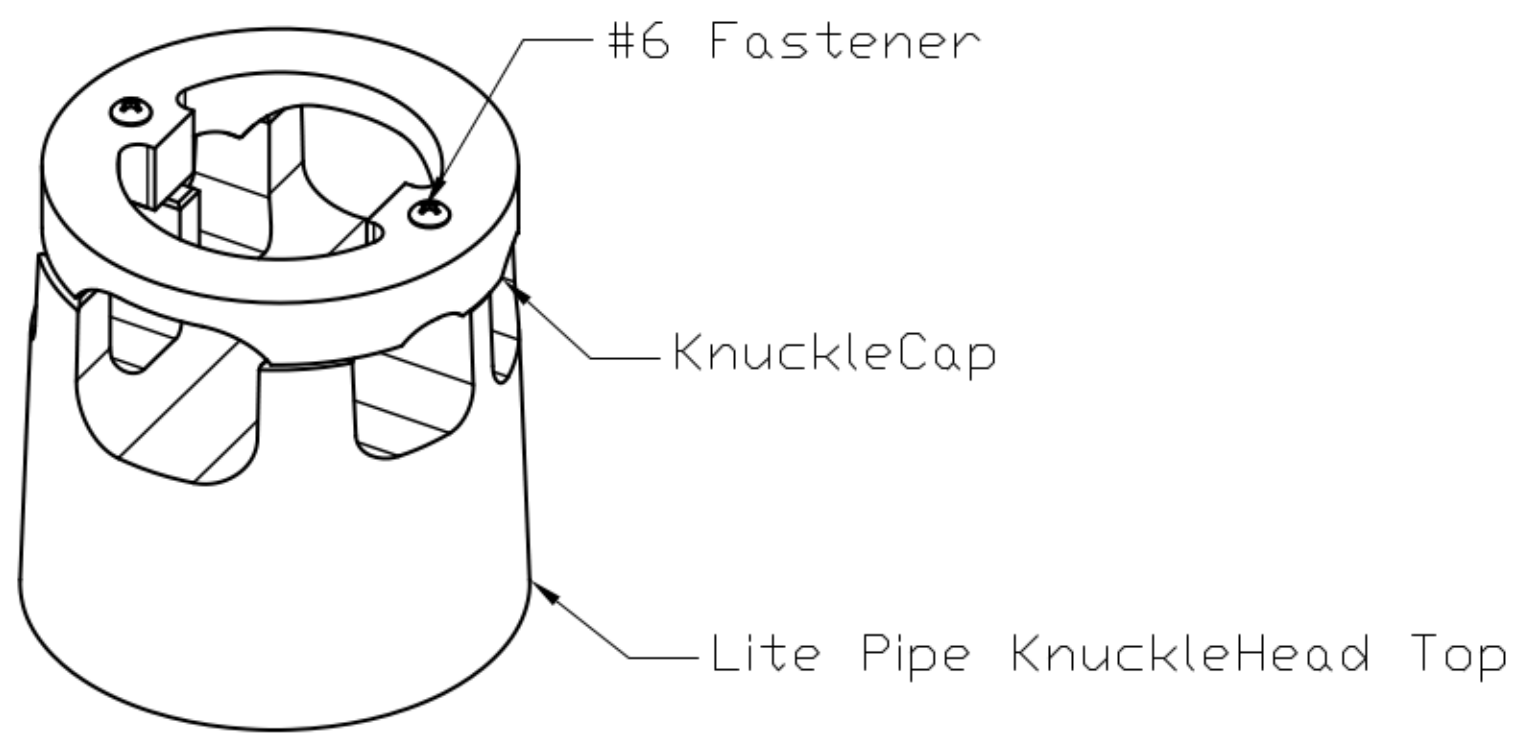
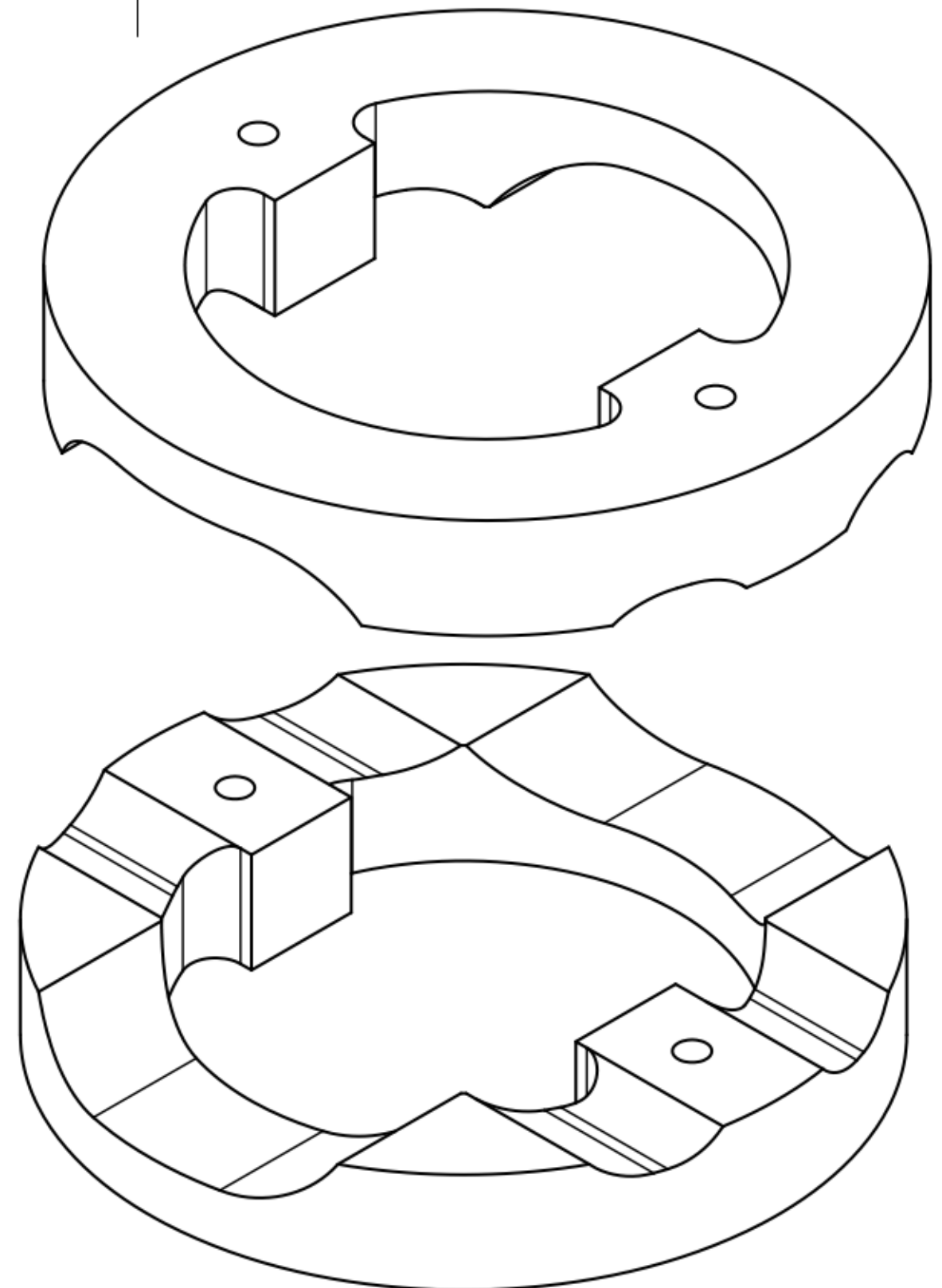


REVISIONS				
ZONE	REV	DESCRIPTION	DATE	APPROVED
ALL	A	INITIAL RELEASE	12/5/17	OP



Mates with #6 screw



FILE NAME A-2006-1	5519 E Cork Street Kalamazoo Michigan 49048 USA (269)743-3368 (888) 672-9897		
CONTRACT NO KnuckleHeads	Lite Pipe KnuckleCap		
DRAWN 12/5/2017	SIZE FSCM NO DWG NO A-2006-1-Cap [A] Lite Pipe KnuckleCap		
CHECK OP	SCALE 1:1 WEIGHT 32 grams SHEET 12		
APPR. op	REV A		
ISSUED 9/29/2017	Urethane		