

KnuckleHead Elevated Mechanical Support Assembly

4 KNUCKLEHEAD STANCHION
SUPPORTS WITH YELLOW GASKETS

4 UNIVERSAL BASES

2 SUPPORT RAILS

2 EQUIPMENT RAILS

4 90° BRACKETS,
(16 BOLTS, 8 STRUT CHANNEL NUTS, 8 LOCK
WASHERS, 8 NYLOCK NUTS AND 8 FLAT WASH-
ERS)

4 5-HOLE U-BRACKETS
(12 BOLTS, 12 CHANNEL NUTS AND
12 LOCK WASHERS)

8 VINYL STRUT CAPS

OPTIONAL ACCESSORIES

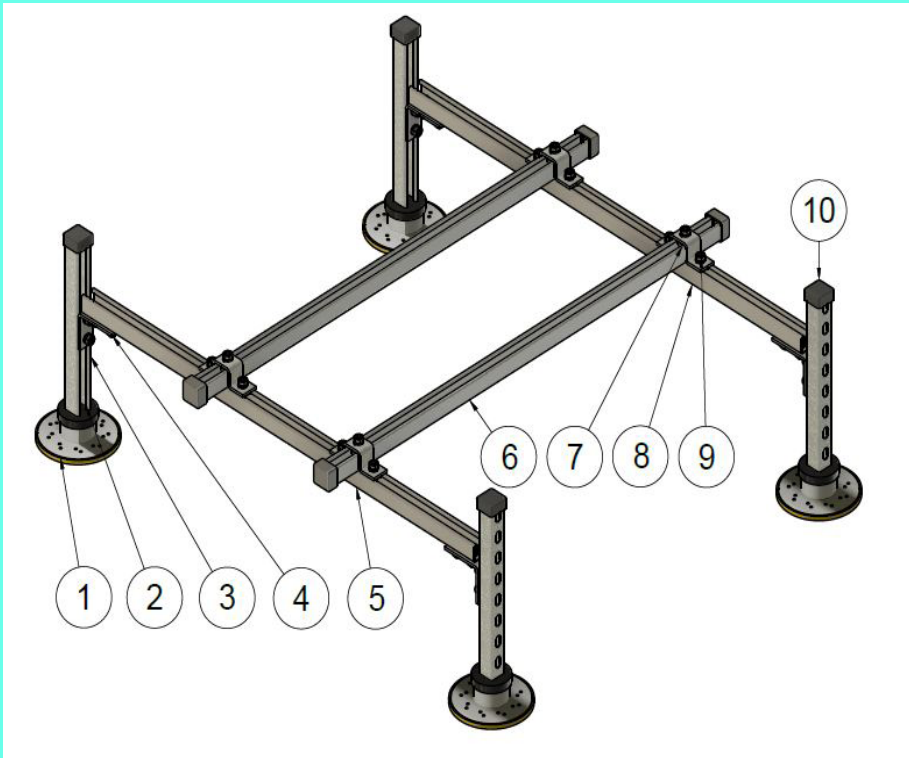
4 KNUCKLEPADS

1 TUBE GREEN LINK
ADHESIVE/SEALANT

EQUIPMENT MOUNTING HARDWARE

TOOLS REQUIRED:
3/4" SOCKET & 3/4" WRENCH
MEASURING TAPE & MARKER

WHAT'S IN THE BOX?



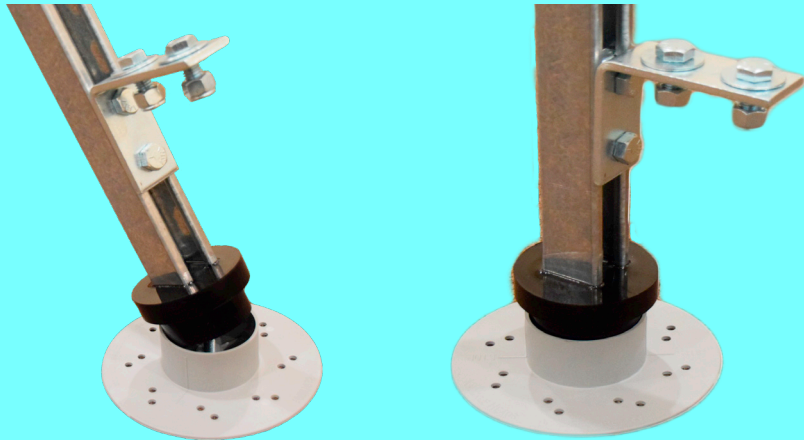
ID	QTY.	DESCRIPTION
1	4	UNIVERSAL BASE
2	4	GASKET
3	4	KNUCKLEHEAD STANCHION
4	4	4-HOLE 90° BRACKET
5	2	SUPPORT RAIL
6	2	EQUIPMENT (CROSS) RAIL
7	4	5 HOLE U-BRACKET
8	20	STRUT NUTS
9	28	1/2" BOLT, NUT AND WASHER
10	8	VINYL END CAP

GREENLINKENGINEERING.COM
CONTRACTOR HOT LINE: 888.672.9897
5519 E CORK ST. KALAMAZOO, MI 49048

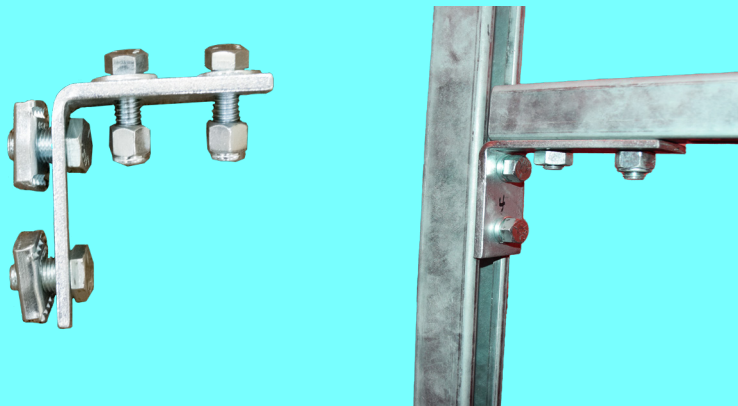


Now We Build

STEP 1 ATTACH UNIVERSAL BASE TO KNUCKLEHEAD STANCHION, TIGHTEN SECURELY TO MAKE COMPLETE CONTACT WITH YELLOW GASKET.

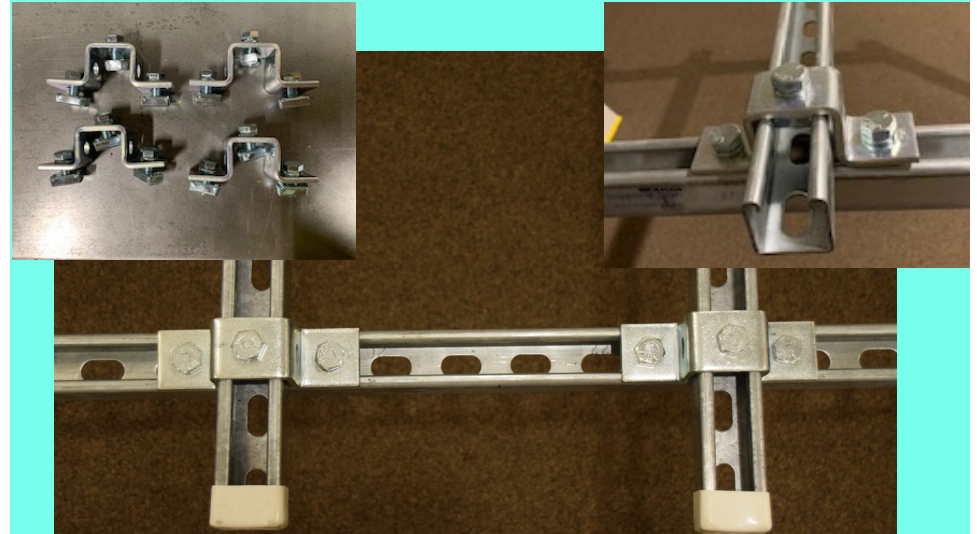


STEP 2 ATTACH BRACKET TO STANCHION USING CHANNEL NUTS AND LOCKS WASHERS, IN STRUT CHANNEL ADJUST TO DESIRED HEIGHT.



STEP 3 ATTACH SUPPORT RAIL (LONGER STRUT PIECE IF DIFFERENT SIZES) TO BRACKET, CHANNEL SIDE UP, SLOTTED SIDE DOWN, USING BOLT, NYLOCK NUT AND FLAT WASHER.

STEP 4 SET EQUIPMENT SUPPORT RAILS ON SUPPORT RAILS AT DESIRED WIDTH. ATTACH U-BRACKETS USING INCLUDED HARDWARE IN STRUT CHANNELS.



STEP 5 INSTALL VINYL END CAPS AND ATTACH UNIT TO ELEVATED MECHANICAL SUPPORT STAND AND MAKE ANY ADJUSTMENTS FOR LEVELING

