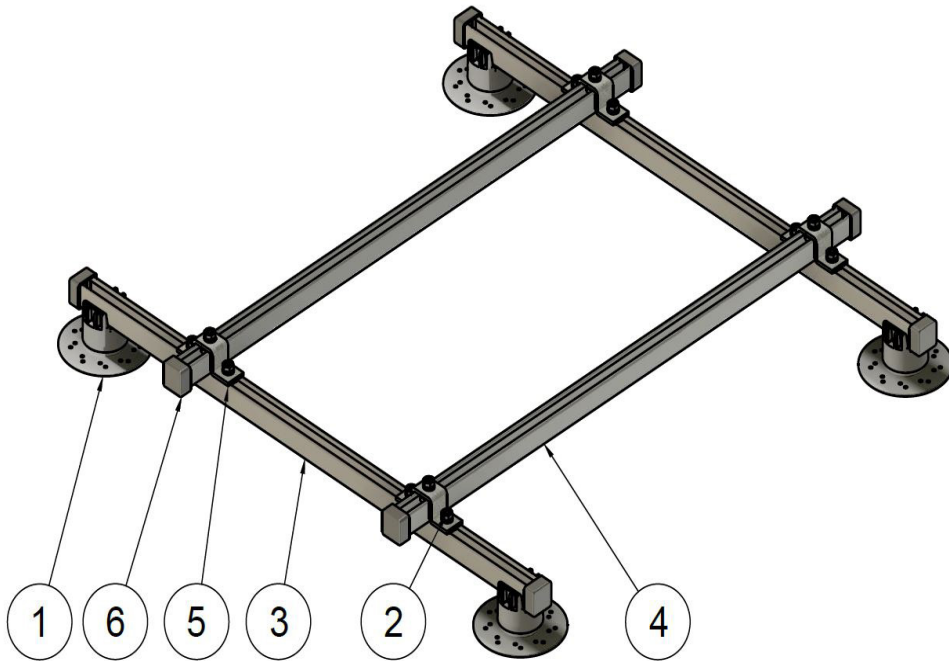


KnuckleHead

Low Profile Mechanical Support Assembly



ID	QTY.	DESCRIPTION
1	4	STRUT KNUCKLEHEAD
2	12	1/2-13 BOLT, WASHER AND STRUT NUT
3	2	SUPPORT RAIL
4	2	EQUIPMENT SUPPORT RAIL
5	4	5 HOLE CONNECTOR BRACKET
6	8	VINYL END CAP
MADE IN THE U.S.A.		

4 STRUT KNUCKLEHEAD SUPPORTS
DRILLED TO ACCOMMODATE 4 X 1/4-20
BOLTS AND NUTS

2 SUPPORT RAILS (ATTACHED TO
STRUT KNUCKLEHEADS)

2 EQUIPMENT SUPPORT RAILS

8 VINYL STRUT CAPS

BAG CONTAINING 4 X 5 HOLE
CONNECTOR BRACKETS AND 12 X
1/2-13 BOLTS, WASHERS AND STRUT
NUTS FOR CONNECTING EQUIPMENT
SUPPORT RAIL TO SUPPORT RAIL

OPTIONAL ACCESSORIES:

4 KNUCKLEPADS

1 TUBE GREEN LINK
ADHESIVE/SEALANT

EQUIPMENT MOUNTING HARDWARE &
ANTI-VIBRATION PADS

TOOLS REQUIRED:
3/4" SOCKET
MEASURING TAPE & MARKER

WHAT'S IN THE BOX?



GREENLINKENGINEERING.COM
CONTRACTOR HOT LINE: 888.672.9897
5519 E CORK ST. KALAMAZOO, MI 49048



Now We Build

STEP 1 PLACE SUPPORT RAILS & EQUIPMENT SUPPORT RAILS BASED ON DEPTH OF UNIT



STEP 2 REMOVE HARDWARE AND PLACE ON EQUIPMENT SUPPORT RAIL, SECURE WITH SOCKET



STEP 3 TURN BASE OF STRUT KNUCKLEHEAD UP TO 1" FOR ANY REQUIRED LEVELING. PLACE KNUCKLEPADS UNDER BASE IF INCLUDED. INSTALL VINYL END CAPS



STEP 4 PLACE UNIT USING INCLUDED HARDWARE AND ANTI-VIBRATION PADS IF REQUESTED, OR HARDWARE OF YOUR CHOOSING. ADJUST HEIGHT AND WIDTH AS NECESSARY

