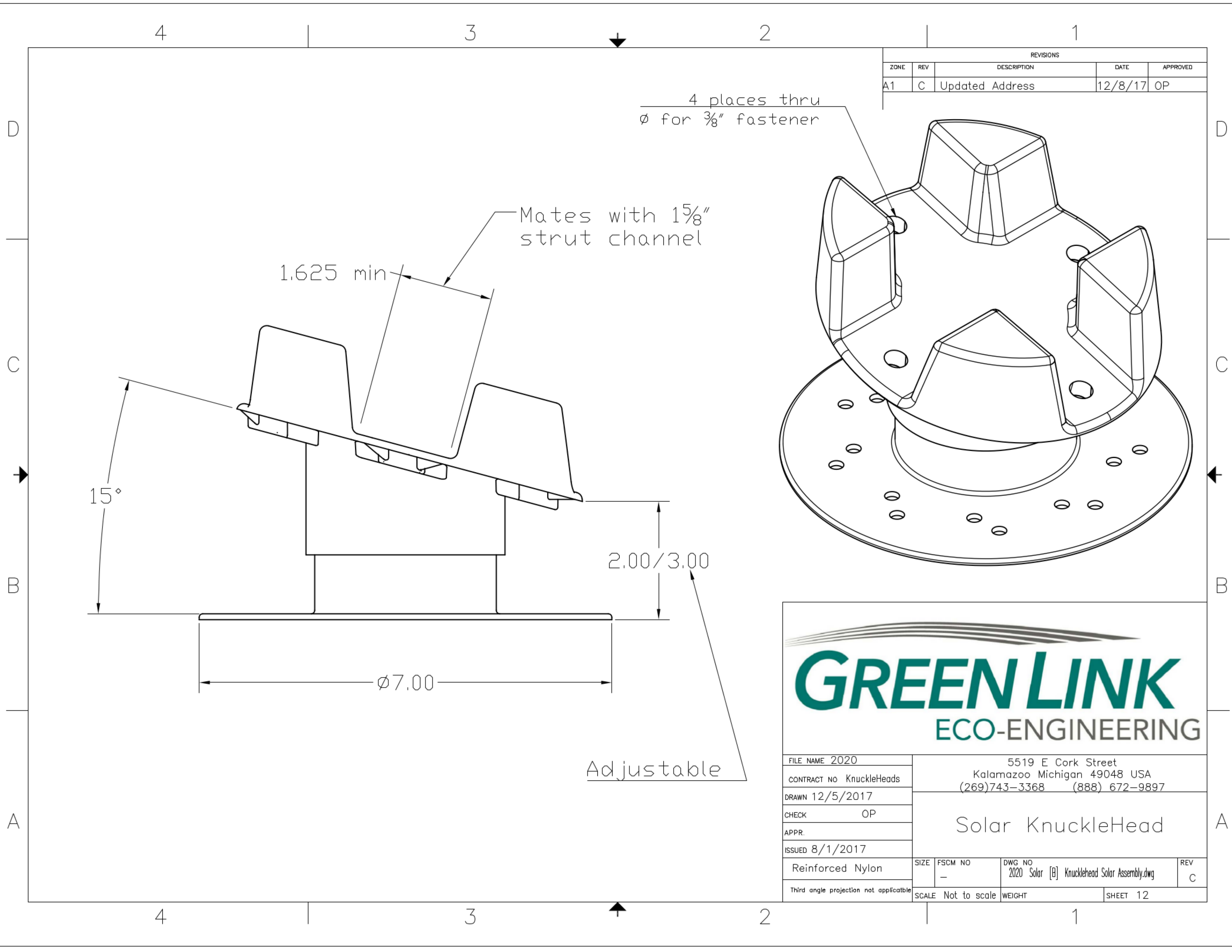


| REVISIONS |     |                 |         |          |
|-----------|-----|-----------------|---------|----------|
| ZONE      | REV | DESCRIPTION     | DATE    | APPROVED |
| A1        | C   | Updated Address | 12/8/17 | OP       |



|                                       |                              |                |   |
|---------------------------------------|------------------------------|----------------|---|
| FILE NAME 2020                        | 5519 E Cork Street           |                |   |
| CONTRACT NO KnuckleHeads              | Kalamazoo Michigan 49048 USA |                |   |
| DRAWN 12/5/2017                       | (269)743-3368                | (888) 672-9897 |   |
| CHECK OP                              | Solar KnuckleHead            |                |   |
| APPR.                                 |                              |                |   |
| ISSUED 8/1/2017                       |                              |                |   |
| Reinforced Nylon                      | SIZE                         | FSCM NO        | DWG NO  |
| Third angle projection not applicable | -                            | -              | 2020 Solar [B] Knucklehead Solar Assembly.dwg |
|                                       | SCALE Not to scale           | WEIGHT         | REV C   |
|                                       |                              |                | SHEET 12                                      |